

BZG1-2RN2

DRAWING NUMBER

ISSUE

8

REPLACES

RELEASE NO. PR-1341

CHECK

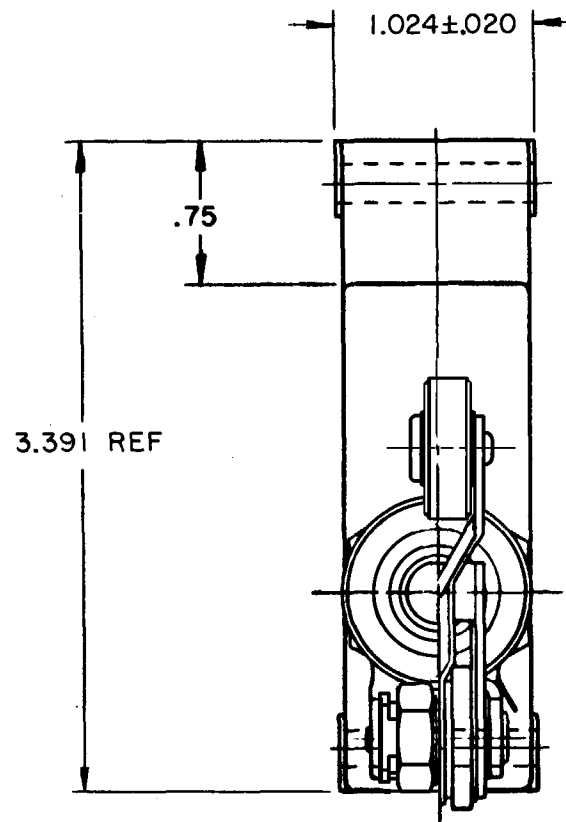
REVISIONS

A	PR-1341	SMAR	70
	RER		
	17 JUL 70		
B	C028612	SMAR	70
	MBS		
	11 FEB 71		
C	C037675	WHE	76
	KPK		
	23 SEP 76		
D	C055989	WHE	76
	WJM		
	1 NOV 84		
E	C072977	WHE	77
	GJW		
	8 AUG 92		
F	C077179-C	SMAR	70
	MAM		
	12 MAR 94		
G	C081513B	SMAR	70
	JAK		
	11 MAR 97		

FORMTEK

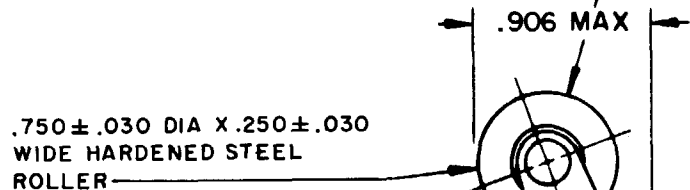
DRAWN

OMW 25 FEB 70



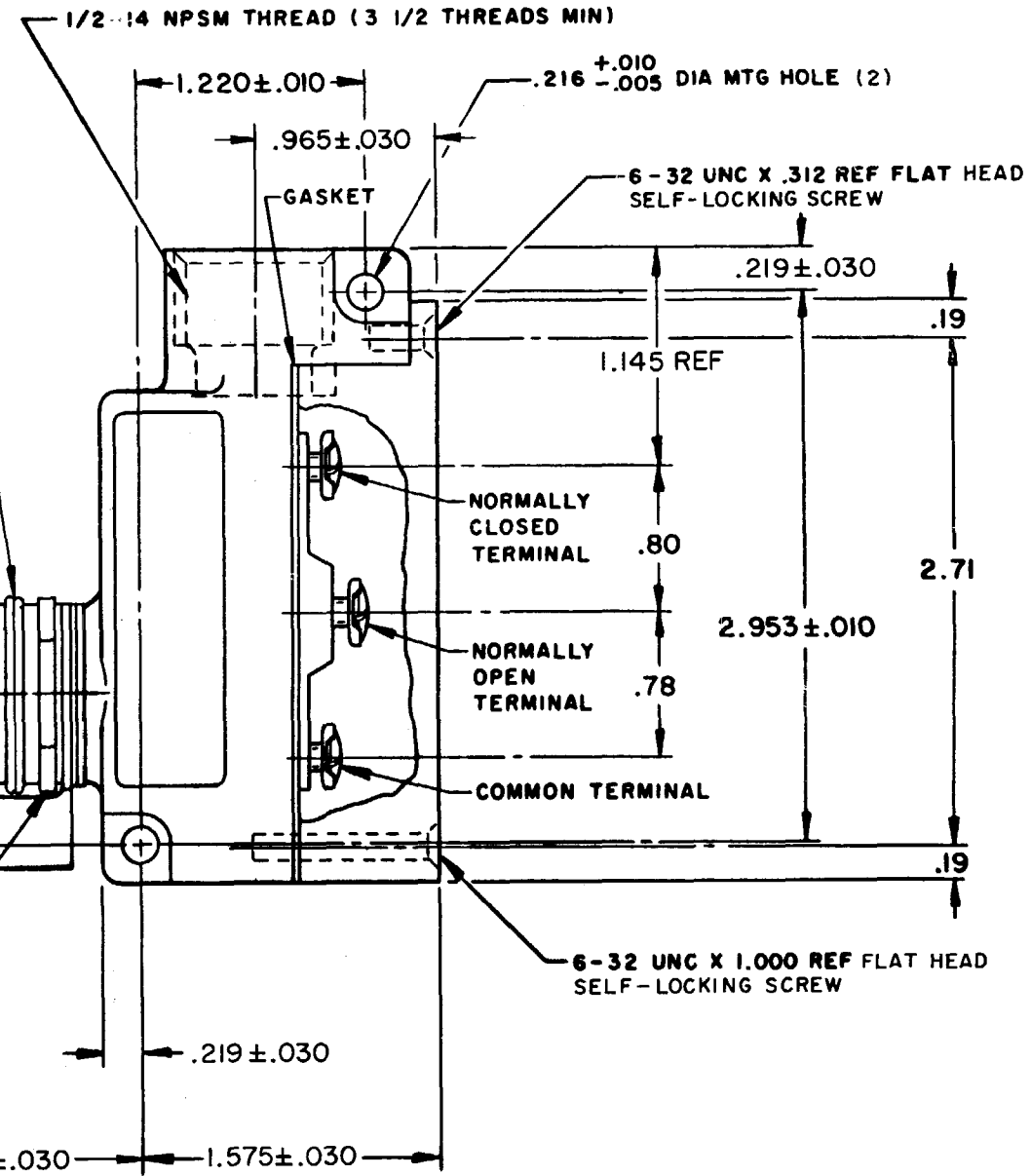
ELASTOMER PLUNGER SEAL SECURED TO COMPONENTS BY EXTERNAL BANDING

ROLLER LEVER IS SHOWN IN ITS FREE POSITION AT ONE EXTREME OF ITS ADJUSTABLE RANGE



ROLLER LEVER MAY BE POSITIVELY LOCKED AT INTERVALS OF APPROX 0.2° WITHIN A RANGE OF 225° (1238 POSITIONS)

HEX SEAL NUT .938 REF ACROSS FLATS



THIS DRAWING COVERS A PROPRIETARY ITEM AND IS THE PROPERTY OF MICRO SWITCH, A DIVISION OF MINNEAPOLIS-HONEYWELL REGULATOR CO. THIS DRAWING IS NOT TO BE COPIED OR USED WITHOUT THE APPROVAL OF MICRO SWITCH.

CHARACTERISTICS	ELECTRICAL DATA	SCALE FULL
OPERATING FORCE ----- 10-20 OZ	CONTACT ARRANGEMENT S P D T	DO NOT SCALE PRINT
RELEASE FORCE ----- 6 OZ MIN	15A-125, 250 OR 480 VAC, 2A-600 VAC 1/8HP-125 VAC; 1/4HP-250 VAC CODE L74 1/2A-125 VDC; 1/4A-250 VDC RU	UNLESS OTHERWISE NOTED
PRETRAVEL ----- .188 MAX		DIMENSIONS ARE IN INCHES
DIFFERENTIAL TRAVEL ----- .006 MAX		TOLERANCES ARE:
OVERTRAVEL ----- .219 MIN		ONE PLACE (.0) ± .030 TWO PLACE (.00) ± .015 THREE PLACE (.000) ± .008 ANGLES ±
SWITCH-BASIC REPLACEMENT --- BZ-2RN702		WEIGHT

- NOTES
- 1 - 6-32 UNC X .219 REF BINDING HEAD TERMINAL SCREW AND CUPWASHER (3)
 - 2 - ROLLER LEVER BRACKET ASSEMBLY MAY BE SET AT ANY POSITION AROUND AXIS OF PLUNGER